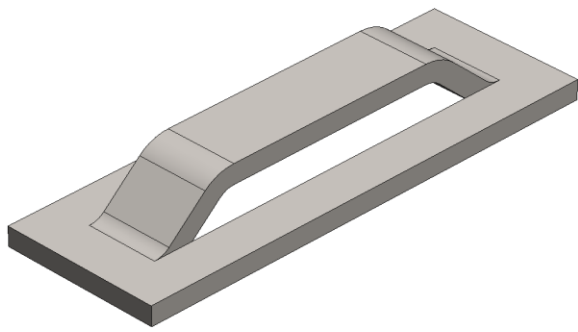


# Bridge Lance & Form - Single



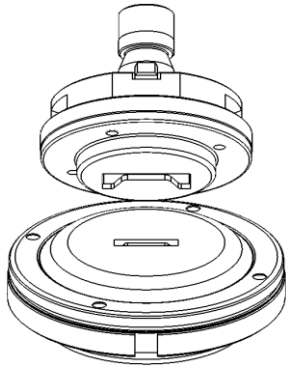
## Typical Applications:-

- Cable guides
- Card holders
- Ventilation slots

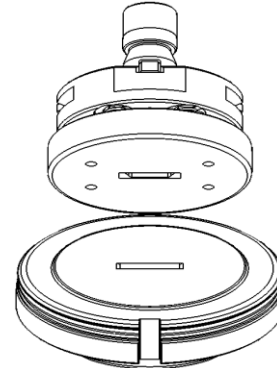
## Wilson Tool Advantages:-

- Built-in alignment ring
- Replaceable cutting components for cost effective changin of working parts
- Positive ejection for fast & reliable stripping performance
- Special coated die cap to reduce sheet marking
- Steel compression springs used for maximum life & reliability

**Form Up**



**Form Down**



**Price**

**Delivery**

**Cat N°**

**Price**

**Delivery**

**Cat N°**

€ 1,181

3 Days

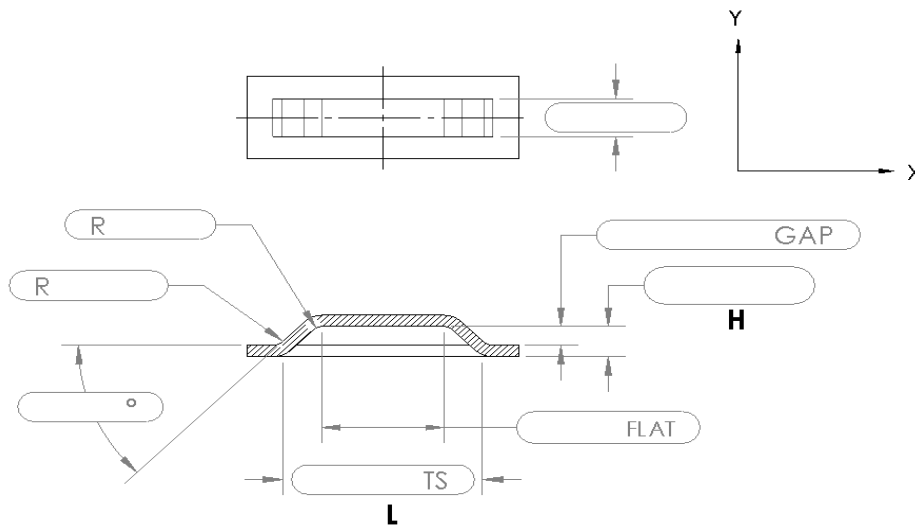
25114

€ 1,181

5 Days

26805

Alternatively send a CAD file or drawing in any format of your choice



**Company Name**

**Customer Number (If Known)**

**Contact Person**

- Quote Only  
 Order Number (Specify)

**Machine Type & Model**

**Material Type**

- AL  MS  SS  
 Other \_\_\_\_\_

**Sheet Thickness (S)**

**Form Direction**

- Upwards  Downwards

**Other Forms Close By**

- No  
 Yes X =      Y =

**OptiGlide Die Cap (Up Only)**

- Yes (Add £50)  No

**Coated Insert**

- Yes  No

**Ultima Insert**

- Yes  No

**Tool ID Marking (Specify)**

### Maximum Dimensions

for applications exceeding these sizes please contact us for alternative solutions (price & delivery indicated may vary)

S = Sheet Thickness

**Form Up**

**Form Down**

L = 40

L = 30

H = 7.7

H = 4.5

S = 3.0

S = 2.0

## Ordering Tips & Advice:-

- **Important - Advise if any specific tolerances apply to any dimensions**
- Custom variations available e.g. doubles, lead-ins at one or both ends, differing geometries to that shown
- To ensure tool integrity keep a minimum 5mm between bridges, if this is not possible order a double bridge
- Try to keep side angles to a maximum 45°
- Bend rads should be a minimum R0.8mm
- Lubricate the sheet prior to forming using Xcel™ spray helps material flow more easily
- Use OptiGlide™ die cap to reduce sheet marking on the underside of the sheet if upwards forming  
Extra £50 charge and 1 extra day delivery apply
- Coated inserts improve performance by reducing galling and improving surface hardness to increase hit count between regrinds
- Ultima™ powdered steel inserts help further enhance cutting edge longevity to maximise tool life