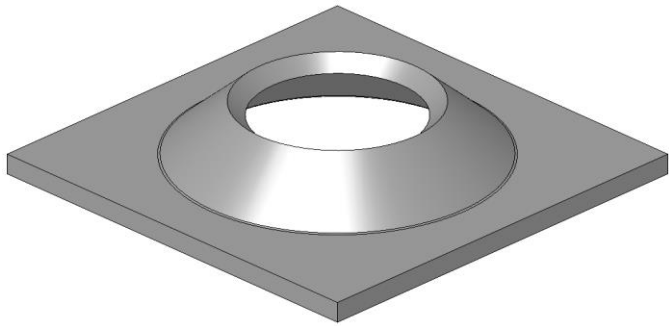


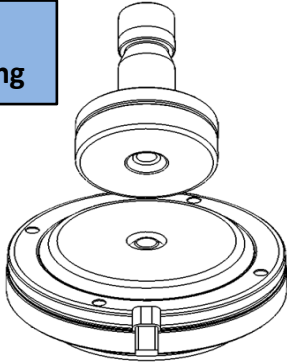
Form Only - Round



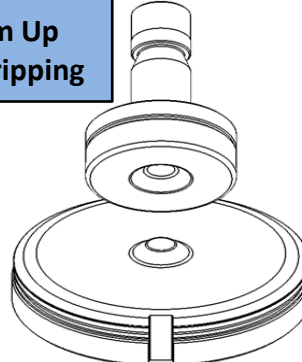
Typical applications:

- Captivate countersunk headed screws for flush finish
- Drainage outlets
- Anti-slip tread plates

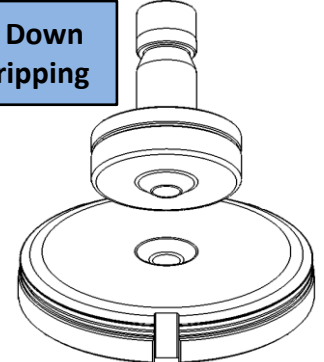
Form Up With Stripping



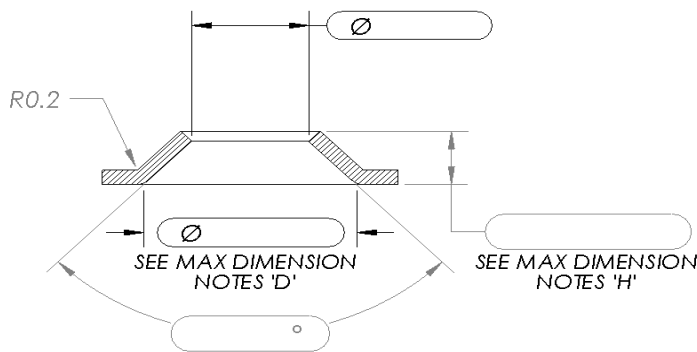
Form Up No Stripping



Form Down No Stripping



Tool Size	Price	Delivery	Cat N°	Price	Delivery	Cat N°	Price	Delivery	Cat N°
Size 1	€ 526	2 Days	25468	€ 370	2 Days	25572	€ 370	2 Days	25543
Size 2	€ 910		25469	€ 420		25618	€ 420		25619



DIN 74	ØD @ 90°	
	Slotted & Phillips Head	Hexagon Socket Head
M3	6.5	6.6
M4	8.6	9
M5	10.4	11
M6	12.4	13
M8	16.4	17.2
M10	20.4	21.5
M12	24.4	25.5
M14	28.4	28.5
M16	32.4	31.5
M18	36.4	35
M20	40.4	38

Alternatively send a CAD file or drawing in any format of your choice

Company Name

Customer Number (If Known)

Contact Person

- Quote Only
 Order Number (Specify)

Machine Type & Model

Material Type

- AL MS SS
 Other _____

Maximum Dimensions for applications exceeding these sizes please contact us for alternative solutions	With Stripping		Without Stripping	
	Size 1	Size 2	Size 1	Size 2
	D = Ø20	D = Ø50	D = Ø15	D = Ø40
	H = 4.5	H = 7.7	H = 10	
S = 1.5		S = 3		

Sheet Thickness (S)

Form Direction

- Up Down

Lower Unit Stripping

- Yes No

Other Forms Close By

- Yes (Add £50 & Inc Sketch) No

OptiGlide Die Cap (Up Only)

- Yes (Add £50) No

Punch Style

- Classic
 Alignment Ring Required
 2·4·1
 2·4·1 Holder Required

Tool ID Marking (Specify)?

Ordering Tips & Advice:-

- **With stripping** option protects tool, helps keep sheets flatter, allows the sheet safe travel over the tool and reduces marking on underside of sheet (not necessary or an option on downward forming)
- **Important - Advise if any specific tolerances apply to any dimensions**
- For angles ≤ 30° use extrusion datasheet
- Increase R0.2 to R0.8 if sheet has a protective foil to prevent it splitting
- For angles ≤ 30° use extrusion datasheet
- Lubricate the sheet prior to forming using Xcel™ spray helps material flow more easily
- Use Optiglide™ die cap to reduce sheet marking on the underside of the sheet if upwards forming
Extra £50 charge and 1 extra day delivery apply